

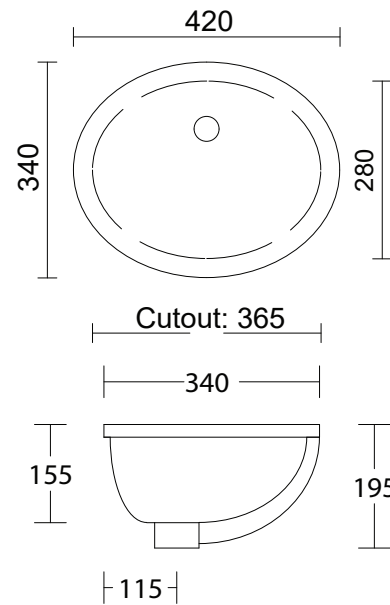
Oval Under Counter

WG White Gloss
OVL-BS-420-WG-S

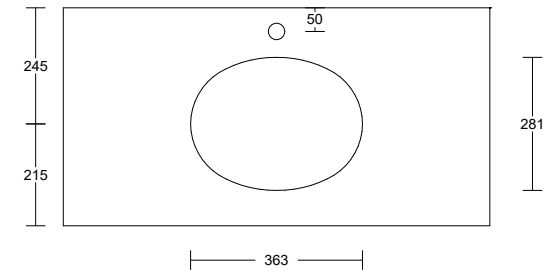


Under Counter Basin

— Cutout
- - - Basin



Drawings



Cut Out Specifications

Note: Waste not included. Waste Size: 32mm. Overflow to: Front of Basin. Minimum Depth: 460mm with taphole behind, 420mm without taphole behind.