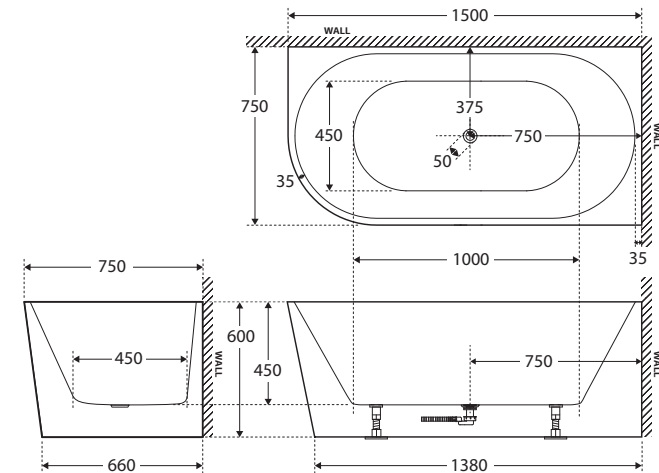


Isabella

LEFT-HAND ACRYLIC CORNER BATH, 1500MM

Features

- Modern, slim edge design
- Two-sided corner style
- UV stabilised sanitary-grade acrylic
- Inbuilt steel support frame
- Adjustable steel legs
- No overflow
- Chrome waste included with bath
- Net weight: 48kg
- Gross weight: 56kg



Available in



Gloss White
FR67-1500L

Cleaning & Care

- Regularly clean with mild soapy water using a microfibre cloth. Weekly cleaning is recommended.
- Do not use harsh detergents, bleach, cream cleaners, window cleaning sprays, or citrus based cleaners.
- Do not use undue pressure and wipe in one direction only.
- If using coloured essential oils, test in an inconspicuous area with water to ensure they won't stain the bath. Always add oils to a bath full of water.

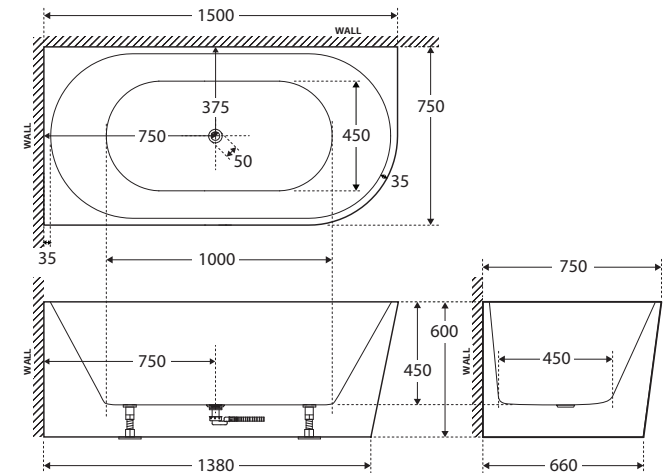
While we aim to ensure specifications are correct at the time of publication, Fienza reserves the right to make modifications without prior notice. Physical colour may vary from image shown. All measurements are shown in millimetres. Always use physical product measurements for mark-ups and roughing-in as the technical drawing may differ from actual product received.

Isabella

RIGHT-HAND ACRYLIC CORNER BATH, 1500MM

Features

- Modern, slim edge design
- Two-sided corner style
- UV stabilised sanitary-grade acrylic
- Inbuilt steel support frame
- Adjustable steel legs
- No overflow
- Chrome waste included with bath
- Net weight: 48kg
- Gross weight: 56kg



Available in



Gloss White
FR67-1500R

Cleaning & Care

- Regularly clean with mild soapy water using a microfibre cloth. Weekly cleaning is recommended.
- Do not use harsh detergents, bleach, cream cleaners, window cleaning sprays, or citrus based cleaners.
- Do not use undue pressure and wipe in one direction only.
- If using coloured essential oils, test in an inconspicuous area with water to ensure they won't stain the bath. Always add oils to a bath full of water.

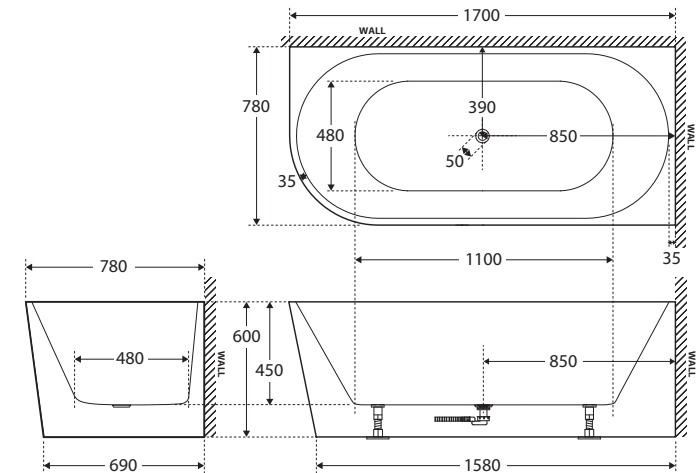
While we aim to ensure specifications are correct at the time of publication, Fienza reserves the right to make modifications without prior notice. Physical colour may vary from image shown. All measurements are shown in millimetres. Always use physical product measurements for mark-ups and roughing-in as the technical drawing may differ from actual product received.

Isabella

LEFT-HAND ACRYLIC CORNER BATH, 1700MM

Features

- Modern, slim edge design
- Two-sided corner style
- UV stabilised sanitary-grade acrylic
- Inbuilt steel support frame
- Adjustable steel legs
- No overflow
- Chrome waste included with bath
- Net weight: 51kg
- Gross weight: 60kg



Available in



Gloss White
FR67-1700L

Cleaning & Care

- Regularly clean with mild soapy water using a microfibre cloth. Weekly cleaning is recommended.
- Do not use harsh detergents, bleach, cream cleaners, window cleaning sprays, or citrus based cleaners.
- Do not use undue pressure and wipe in one direction only.
- If using coloured essential oils, test in an inconspicuous area with water to ensure they won't stain the bath. Always add oils to a bath full of water.

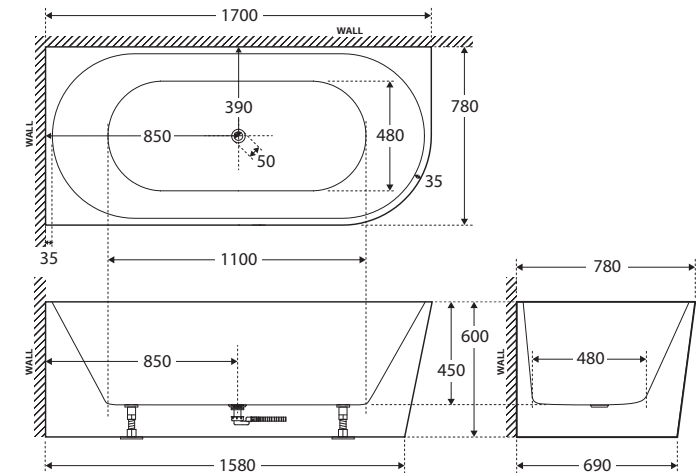
While we aim to ensure specifications are correct at the time of publication, Fienza reserves the right to make modifications without prior notice. Physical colour may vary from image shown. All measurements are shown in millimetres. Always use physical product measurements for mark-ups and roughing-in as the technical drawing may differ from actual product received.

Isabella

RIGHT-HAND ACRYLIC CORNER BATH, 1700MM

Features

- Modern, slim edge design
- Two-sided corner style
- UV stabilised sanitary-grade acrylic
- Inbuilt steel support frame
- Adjustable steel legs
- No overflow
- Chrome waste included with bath
- Net weight: 51kg
- Gross weight: 60kg



Available in



Gloss White
FR67-1700R

Cleaning & Care

- Regularly clean with mild soapy water using a microfibre cloth. Weekly cleaning is recommended.
- Do not use harsh detergents, bleach, cream cleaners, window cleaning sprays, or citrus based cleaners.
- Do not use undue pressure and wipe in one direction only.
- If using coloured essential oils, test in an inconspicuous area with water to ensure they won't stain the bath. Always add oils to a bath full of water.

While we aim to ensure specifications are correct at the time of publication, Fienza reserves the right to make modifications without prior notice. Physical colour may vary from image shown. All measurements are shown in millimetres. Always use physical product measurements for mark-ups and roughing-in as the technical drawing may differ from actual product received.